

## Settings & Preferences

Press and hold the MARK and SENS buttons to access Preferences. To exit Preferences, simply wait a few seconds without pressing a button. The unit will display **Completed** to confirm your selections.

| Press MARK to go from one category to the next |   | Press VOLUME + or – to change your setting within a category   |
|--|---|--|
| User Mode                                      | <b>Advanced*<br/>Novice</b>                     | Access and customize all Settings and Preferences. Access and customize units and display color, (all other Settings are set to factory defaults)<br><i>NOTE: Switch back to advance mode to view all Preferences.</i>   |
| Pilot  | <b>Scan Bar*<br/>Full Word</b>                  | Scanning Bar with Full Word. Full Word: Auto, Auto NoX, AutoLoK or Highway   |
| Display Color                                  | <b>Red*/Amber/Blue/Green</b>                    | Set color to match your vehicle's dash display   |
| Speed Display                                  | <b>On*<br/>Off</b>                              | Displays current speed<br>Displays battery voltage   |
| Cruise Alert                                   | <b>20 mph*<br/>Off / 20-160 mph</b>             | Offers double beep alert tones below specified speed   |
| Over Speed                                     | <b>70 mph*<br/>Off / 20-160 mph</b>             | Reminds you when you exceed a specified speed  |
| Meter Mode                                     | <b>Standard*<br/>Spec<br/>Expert<br/>Simple</b> | Single band with bar graph of signal strength<br>Single band with numeric frequency<br>Multiple bands with bar graph of signal strengths<br>Simple messages replace bands:<br><b>Caution</b> (if traveling below cruise alert limit)<br><b>Slow Down</b> (if traveling above cruise alert limit) |
| Tones  | <b>Standard*<br/>Mild</b>                       | Standard ESCORT alert tones<br>Mild doorbell chime alert tones   |
| AutoMute                                       | <b>AutoMute Low /<br/>Med* / High / Off</b>     | Automatically reduces audio to preferred volume during alert   |
| AutoLearn                                      | <b>On* / Off</b>                                | Automatically stores and locks out false alarms  |
| Alert Lamp                                     | <b>On*/Band/Off</b>                             | Turn the Alert Lamp on, off, or select band mode for color-coded alerts.<br>X = green, K = blue, Ka/Laser = red  |
| Units  | <b>English* / Metric</b>                        | Units for distance and speed   |
| Language                                       | <b>English* / Espanol</b>                       | Language for voice and text  |
| Voice  | <b>On* / Off</b>                                | Voice announcements  |
| GPS Filter                                     | <b>On* / Off</b>                                | Enables GPS-powered features   |

|           |            |  |
|-----------|------------|--|
| AutoPower | <b>Off</b> | Power turns on or off depending on your vehicle's ignition type (constant power or switched)<br>Powers off automatically after 1 hour<br>Powers off automatically after 2 hours<br>Powers off automatically after 4 hours<br>Powers off automatically after 8 hours<br><i>NOTE: AutoPower only works with constant power ignition.</i><br><i>NOTE: If AutoPower is on, to save screen life the display screen goes blank after 30 minutes without moving. Display screen will turn on automatically after you reach 10MPH.</i> |
|-----------|------------|--|

|              |                              |   |
|--------------|------------------------------|---|
| Band Enables | <b>Default*<br/>Modified</b> | Default settings for North America<br>Customize the bands you want to monitor |
|--------------|------------------------------|---|

Press SENS to go from one band category to the next

|               |                  |   |  |
|---------------|------------------|---|--|
| X Band        | <b>On* / Off</b> |   |  |
| K Band        | <b>On* / Off</b> | Freq: 23.950 - 24.250 GHz<br><i>NOTE: When K Band is off, you can select separate segments of the band to turn on or off.</i> |  |
| KN1           | <b>On* / Off</b> | Freq: 24.050 - 24.110 Ghz   |  |
| KN2           | <b>On* / Off</b> | Freq: 24.110 - 24.175 Ghz   |  |
| KN3           | <b>On* / Off</b> | Freq: 24.175 - 24.250 Ghz   |  |
| KN4           | <b>On* / Off</b> | Freq: 23.950 - 24.050 Ghz   |  |
| Strelka       | <b>On / Off*</b> | Strelka detection   |  |
| MultaRadar CD | <b>On / Off*</b> | MultaRadar CD detection   |  |
| MultaRadar CT | <b>On / Off*</b> | MultaRadar CT detection   |  |
| Gatso         | <b>On / Off*</b> | Gatso detection   |  |
| Ka Band       | <b>On* / Off</b> | Freq: 33.400-36.000 Ghz<br><i>NOTE: When Ka Band is off, you can select separate segments of the band to turn on and off.</i> |  |
| KaN1          | <b>On* / Off</b> | Freq: 33.392 - 33.704 Ghz   | KaN6 <b>On* / Off</b> Freq: 34.806 - 35.166 Ghz  |
| KaN2          | <b>On* / Off</b> | Freq: 33.704 - 33.896 Ghz   | KaN7 <b>On* / Off</b> Freq: 35.143 - 35.383 Ghz  |
| KaN3          | <b>On* / Off</b> | Freq: 33.886 - 34.198 Ghz   | KaN8 <b>On* / Off</b> Freq: 35.378 - 35.618 Ghz  |
| KaN4          | <b>On* / Off</b> | Freq: 34.184 - 34.592 Ghz   | KaN9 <b>On* / Off</b> Freq: 35.595 - 35.835 Ghz  |
| KaN5          | <b>On* / Off</b> | Freq: 34.592 - 34.808 Ghz   | KaN10 <b>On* / Off</b> Freq: 35.830 - 35.998 Ghz |
| Ka-POP        | <b>On / Off*</b> |   |  |
| Laser         | <b>On* / Off</b> |   |  |
| TSR           | <b>On* / Off</b> | Automatically rejects traffic flow sensors-monitoring false alarms  |  |
| RDR           | <b>On* / Off</b> | Radar Detector Rejection  |  |

## Warranty

### ESCORT One Year Limited Warranty

**What this warranty covers:** Escort, Inc. ("Escort") warrants your Product against all defects in materials and workmanship.

**For how long:** One (1) year from the date of original purchase from an authorized Escort dealer.

**What we will do:** If a breach of warranty occurs, Escort, at its discretion, will either repair or replace your Product free of charge.

**What we will not do:** Escort will not pay shipping charges that you incur for sending your Product to us.

**What you must do to maintain this warranty:** Show original proof of purchase or receipt from an authorized Escort dealer.

**Warranty exclusions:** This warranty does not apply to your product under any of the following conditions: 1. The serial number has been removed or modified. 2. Your product has been subjected to misuse or damage (including water damage, physical abuse, and/or improper installation). 3. Your product has been modified in any way. 4. Your receipt or proof-of-purchase is from a nonauthorized dealer or internet auction site, including E-bay, U-bid, or other non-authorized resellers. 5. You are not the original purchaser of the Product from an authorized dealer or did not receive it as a gift from the original purchaser of the Product from an authorized dealer.

**To obtain service:** 1. Contact ESCORT (1-800-543-1608) to obtain a Return Authorization Number. 2. Properly pack your Product and include: your name, complete return address, written description of the problem with your Product, daytime telephone number, and a copy of the original proof of purchase or receipt. 3. Label the outside of the package clearly with your Return Authorization Number. Ship the Product pre-paid (insured, for your protection) to: ESCORT, Inc., 5440 West Chester Rd., West Chester, OH 45069.

**LIMITATION OF WARRANTY:** The obligations set forth above are ESCORT's sole obligations and your exclusive remedy. **ESCORT makes no other express warranty. Any implied warranty of merchantability or fitness for a particular purpose that may be applicable to the Product is limited in duration to the duration of this warranty.** Some States do not allow limitations on how long an implied warranty lasts, so the above limitation may not apply to you. ESCORT SHALL NOT BE LIABLE FOR CONSEQUENTIAL, SPECIAL OR INCIDENTAL DAMAGES INCLUDING, WITHOUT LIMITATION, DAMAGES ARISING OUT OF THE USE, MISUSE OR MOUNTING OF THE PRODUCT.

Some States do not allow the exclusion or limitation of incidental or consequential damages, so the above limitation or exclusion may not apply to you. ESCORT is not responsible for products lost in shipment between the owner and our service center.

**Other legal rights:** This warranty gives you specific legal rights, and you may also have other rights which vary from State to State.

Marker Enables **Default\*  
Modified** Default settings  
Customize the types of locations you want to mark for future reference

Press SENS to go from one marker category to the next

|             |                  |   |
|-------------|------------------|---|
| Other       | <b>On* / Off</b> | Other location  |
| Redlight    | <b>On* / Off</b> | Red light camera  |
| Red & Speed | <b>On* / Off</b> | Red light & speed camera  |
| Speed Cam   | <b>On* / Off</b> | Speed camera  |
| Speed Trp   | <b>On* / Off</b> | Speed trap  |
| Air Patrol  | <b>On / Off*</b> | Known aircraft patrolled areas<br><i>NOTE: User cannot mark an air patrol location.</i> |

Clear Locations **Marked  
Lockouts  
Defender  
Format** Clear all user Marked locations. Press SENS button to confirm  
Clear all lockouts. Press SENS button to confirm  
Clear all DEFENDER data. Press SENS button to confirm  
Clear DEFENDER database, all markers, and all lockouts  
Press SENS button to confirm

\*Default Setting

### Notes for Settings & Preferences

For descriptions of features and functions available when connected to ESCORT Live, visit [EscortRadar.com](http://EscortRadar.com) and download the RedLine EX Owner's Manual.

To view serial number and software revision press MARK and MUTE while powering on detector.

To restore RedLine EX to its original factory Settings, press and hold MARK and BRT while turning the power on. A "Restored" message will display, acknowledging the reset.

### Software Updates

RedLine EX's red light and speed camera DEFENDER database is easily updated using our exclusive detector software tools found on our web site. Firmware, or the operating software for the detector, can also be updated using these tools.

In order to have access to these updates, please register your RedLine EX at [www.EscortRadar.com](http://www.EscortRadar.com). Once registered, you will receive email notifications that updates are now available for your database or firmware. To handle your software and DEFENDER updates you need to connect your RedLine EX to a computer first. You can connect RedLine EX to a computer via USB A / Mini B cable (not included).

## Contact Us

### Accessories

800.433.3487

[EscortRadar.com](http://EscortRadar.com)

Designed in the USA by Escort Inc.,  
Manufactured in the Philippines

ESCORT Inc.  
5440 West Chester Road  
West Chester OH 45069

Sales / Service 800.433.3487  
[www.EscortRadar.com](http://www.EscortRadar.com)

©2017 ESCORT Inc. ESCORT®, RedLine EX, Defender®, TrueLock™, AutoSensitivity™, SpecDisplay™, TotalShield™, ExpertMeter™, ESCORT Live™, IVT Filter™ and EZ Mag Mount™ are trademarks of ESCORT, Inc. Designed in the USA by Escort Inc. Manufactured in the Philippines. Features, specifications and prices subject to change without notice.  
FCC NOTE: Modifications not expressly approved by the manufacturer could void the user's FCC granted authority to operate the equipment.  
FCC ID: QKLMX3. CONTAINS FCC ID: QKLB72.  
This device complies with part 15 of the FCC rules. Operation is subject to the following two conditions: (1) This device may not cause harmful interference, and (2) This device must accept any interference received including interference that may cause undesired operation.

ESCORT Live Compatible



The Bluetooth® word mark and logos are registered trademarks owned by Bluetooth SIG, Inc. and any use of such marks by ESCORT is under license.

True Stealth Operation Lets You Drive 100% Undetected

ESCORT Live App Provides Crowd Sourced Alerts

## Quick Reference

# ESCORT®

# REDLINE EX

Extreme Performance Radar Laser Detector

## REDLINE EX

Stealth Ticket Protection with Bluetooth® Connectivity



Exclusive Dual Antenna Design  
Delivers Extreme Range



GPS Intelligence  
Rejects False Alerts



True Stealth Operation Lets  
You Drive 100% Undetected



ESCORT Live App Provides  
Crowd Sourced Alerts



## Congratulations

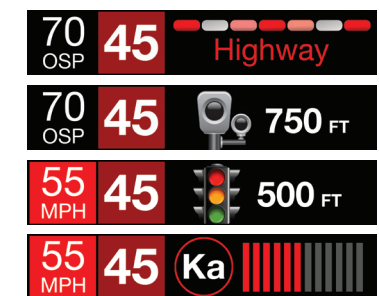


RedLine EX

You've just purchased the only true stealth radar laser detector with GPS intelligence, extreme range and instant Bluetooth® connectivity to the award-winning ESCORT Live speed trap app.

Go to EscortRadar.com for the full featured RedLine EX Owner's Manual.

Guía de Referencia Rápida Española traducida y manual con todas las funciones también son disponibles a [www.EscortRadar.com](http://www.EscortRadar.com)



RedLine EX features a new multi-color OLED display. Brilliant graphics illuminate intuitive icons that identify the type of threat at a glance.

## RedLine EX Features

- Dual radar antennas provide the longest possible warning in all directions on all radar bands. Multiple high-performance laser sensors provide maximum laser warning and off-axis protection.
- Exclusive TotalShield™ Technology makes the RedLine EX totally undetectable by any radar detector (RDD).
- Updatable IVT Filter™ automatically reduces false alerts from moving In-Vehicle Technology sources such as collision avoidance systems and adaptive cruise control.
- GPS location-based intelligence automatically locks out false alerts and allows you to mark locations for future reference.
- Access to ESCORT's DEFENDER Database, which warns you of verified speed traps, speed cameras, and red light cameras.
- Built in Bluetooth® technology gives you access to ESCORT's award winning app, ESCORT Live. Our exclusive real-time ticket-protection, the network which warns you of upcoming alerts received and reported by other users in the area, and gives you access to local speed limit data for over-speed alerts.



EXTREME PERFORMANCE RADAR - LASER DETECTOR

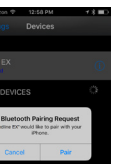
## Registration and ESCORT Live

Before downloading ESCORT Live, you must first register your RedLine EX device. Be sure to have your RedLine EX unit nearby, as you will need the serial number.

- 1 Visit [www.EscortRadar.com](http://www.EscortRadar.com) and click Product Registration.
  - 2 Click the "Registration for all devices" link.
  - 3 Follow the onscreen instructions to register your device.
- Be sure to write down the username and password you create, as you will need this information to access and download ESCORT Live. (You will also receive an e-mail with this information, once you have registered your device.)

### For iPhone:

- 1 Ensure RedLine EX power is ON
- 2 Open the App Store on your iPhone and search for **ESCORT Live Radar**.
- 3 Follow the onscreen instructions to download **ESCORT Live Radar** and then open the app.
- 4 When prompted, enter the username and password you created when registering your product at EscortRadar.com.
- 5 Press the Settings button then select **Devices**.
- 6 You should see **RedLine EX** listed with Not Connected underneath. Press the **RedLine EX** device entry and when prompted select **Pair**.
- 7 The Bluetooth icon on the RedLine EX display will appear to confirm that it is paired to your iPhone.



### For Android based smartphones:

- 1 Ensure RedLine EX power is ON.
- 2 On your smartphone go to Bluetooth® Settings and make sure that Bluetooth® is ON.
- 3 Press Scan for devices and wait for the device list to populate, **RedLine EX** should appear under Available devices.
- 4 Press the **RedLine EX** device entry.
- 5 The Bluetooth icon on the RedLine EX display will appear to confirm that it is paired to your smartphone.
- 6 Open Google Play on your smartphone and search for **Escort Live Radar**.
- 7 Follow the onscreen instructions to download **Escort Live Radar** and then open the app.
- 8 When prompted, enter the username and password you created when registering your product at EscortRadar.com.
- 7 Open the app, walk through the tutorial, and you're ready to hit the road!



## Installation

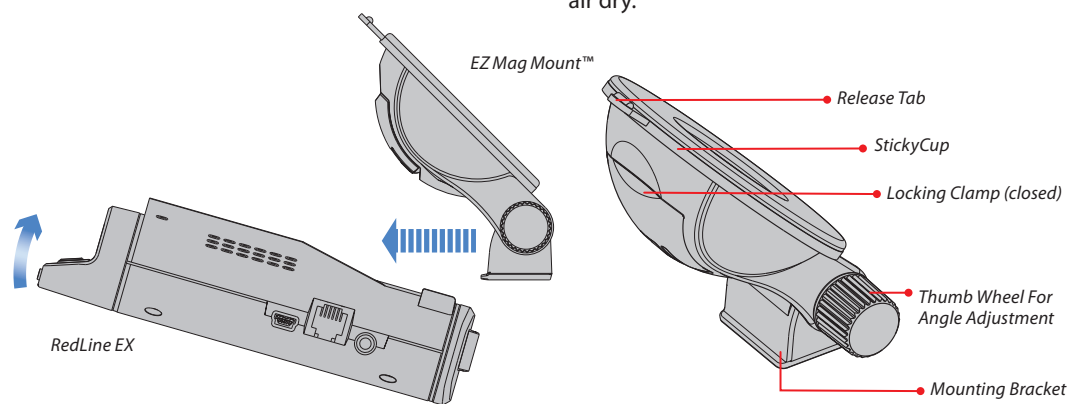
Your new detector comes with our latest **EZ Mag Mount™**. Simply tilt the display end of the detector up and slide it onto the mounting bracket. The magnetic mount holds the detector in place. To remove the detector from the mount, simply lift the display end of the detector and the detector releases from the mount.

### Mounting Tips:

- Center of windshield between driver and passenger.
- Ensure clear view of road ahead and sky above.
- Avoid windshield wipers and heavily tinted areas.

### To mount the detector in your vehicle:

- 1 Remove paper backing from EZ Mag Mount™ StickyCup.
- 2 Ensure the locking clamp is open.



4

## Controls & Features

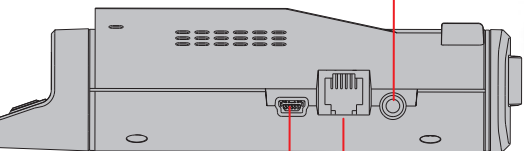
### Using RedLine EX

- 1 Plug small end of SmartCord USB into modular jack on RedLine EX and large end of SmartCord USB into your car's lighter/accessory socket.
- 2 RedLine EX should power on automatically. If not, press the device's PWR button.

NOTE: You can easily access and customize all of your Settings and Preferences by pressing and holding the MARK and SENS buttons. See Settings & Preferences for details.

### Earphone Jack

Connects to optional 3.5 mm stereo earphone



### Mini USB Jack

Connects to your computer via USB A / Mini B cable for downloading software updates

Continued →

### Modular Jack

Connects to SmartCord USB for powering your device



### Modular Connector

Plugs into detector jack

### SmartCord USB Adapter

Connects to lighter/accessory socket

5

## Controls & Features

### Mount Area

The EZ Mag Mount™ attaches to device here

### Display

Current speed

### Volume

Press and hold + or - to adjust volume

### Sensitivity (SENS)

Press to adjust detector sensitivity (Auto, Auto NoX, AutoLoK, and Highway)

### Mark Location (MARK)

To mark a location for future alerts, press MARK twice, then VOL + or - to select the type of marker, then MARK again to confirm. Press twice while receiving marker alert to unmark

### Brightness (BRT)

Press to adjust display brightness (Min, Med, Max, Auto, Dark)

### PWR

Press to turn RedLine EX on or off

### Display (OSP)

OverSpeed alert setting that can be adjusted in Preferences. Bluetooth icon will appear on display screen blue when paired to phone and Speed limit data will show here when ESCORT Live App is open.

### OverSpeed Alert

Bluetooth icon will appear on display screen blue when paired to phone and Speed limit data will show here when ESCORT Live App is open.

6



Continued →